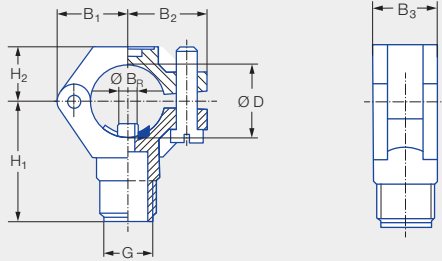


# Eyelet clamps with male thread



## Eyelet clamps with male thread

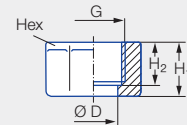
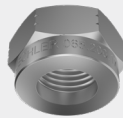


Series	Ordering no.			Screw (material)	G BSPP	Pipe Ø	Dimensions [mm]							Weight [g] (polyamide)		
	Type	Mat. no.					B <sub>1</sub>	B <sub>2</sub>	B <sub>3</sub>	H <sub>1</sub>	H <sub>2</sub>	Ø B <sub>R</sub> <sup>1</sup>	Ø B <sup>2</sup>		Ø D	
		51 Black	53 White													5E Blue
226/2TR/ 216/302/ 308/350/468/ 652/679/684	090.053	●	●	●	Stainless steel 304	3/8	3/8"	19.0	22.0	18.5	34.5	14.5	6.0	6.2-6.4	16.5-18.0	20.0
	090.003	●	●	●		3/8	1/2"	21.2	23.8	18.5	36.5	16.5	6.0	6.2-6.4	20.0-22.0	20.0
	090.013	●	●	●		3/8	3/4"	24.5	26.5	22.0	39.5	17.5	7.6	7.8-8.0	25.0-27.5	25.0
	090.023	●	●	●		3/8	1"	30.0	31.0	22.0	44.0	21.0	10.6	10.8-11.0	32.0-34.5	32.0
	090.033	●	●	●		3/8	1 1/4"	34.0	35.5	25.0	48.0	25.0	12.6	12.8-13.0	40.0-43.0	38.0

<sup>1</sup> Ø B<sub>R</sub> = spigot diameter.

<sup>2</sup> Ø B = recommended bore diameter.

## Retaining nuts for eyelet clamps



Series	Ordering no.					G BSPP	Dimensions [mm]				Weight [g]	
	Type	Mat. no.					H <sub>1</sub>	H <sub>2</sub>	Ø D	Hex		
		16	17 <sup>1</sup>	30	56 Black							5E Blue
226/2TR/ 468/548/ 652/660/679/ 684	065.200	●	●	●		3/8	13.0	10.0	12.8	22	25.0 (Brass)	
	065.200				●		●	14.5	11.5	12.8	22	5.0 (PVDF)

<sup>1</sup> We reserve the right to supply material 316Ti or 316L under material no. 17.

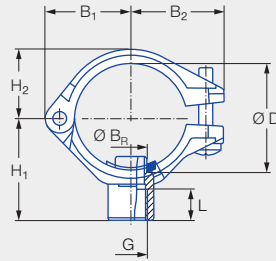
Ordering Type + Material no. = Ordering no.  
example: 090.053 + 51 = 090.053.51

Strainers and ball-type non-return valves can be found on Page 284/285.

# Eyelet clamps with female thread



Eyelet clamps with female thread



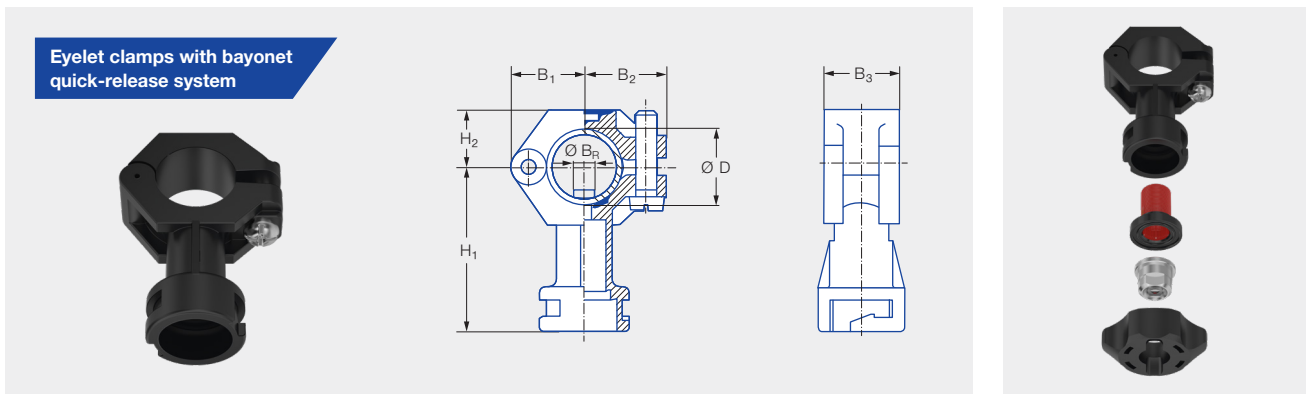
For all nozzles with	Ordering no.						Screw (material)	Pipe Ø	Dimensions [mm]							Weight [g] (polyamide)		
	Type	Mat. no.			Code				B <sub>1</sub>	B <sub>2</sub>	B <sub>3</sub>	H <sub>1</sub>	H <sub>2</sub>	L	Ø B <sub>R</sub> <sup>1</sup>		Ø B <sup>2</sup>	Ø D
		51 Black	53 White	5E Blue														
Male thread 1/8 BSPP 1/4 BSPP	090.100	●	●	●	AB	AD	Stainless steel 316	3/8"	20.0	23.0	18.5	28.0	14.0	12.0	6.0	6.2-6.4	16.5-18.0	18.0
	090.110	●	●	●	AB	AD		1/2"	22.0	25.0	18.5	31.0	16.0	12.0	6.0	6.2-6.4	20.0-22.0	19.0
	090.120	●	●	●	AB	AD		3/4"	25.0	28.0	22.0	33.0	19.0	12.0	7.6	7.8-8.0	25.0-27.5	24.0
	090.130	●	●	●	AB	AD		1"	30.0	33.0	22.0	36.0	23.0	12.0	10.6	10.8-11.0	32.0-34.5	34.0
	090.140	●	●	●	AB	AD		1 1/4"	34.0	37.0	25.0	40.0	28.0	12.0	12.6	12.8-13.0	40.0-43.0	39.0

<sup>1</sup> Ø B<sub>R</sub> = spigot diameter.

<sup>2</sup> Ø B = recommended bore diameter.

Ordering Type + Material no. + Code = Ordering no.  
example: 090.100 + 51 + AB = 090.100.51.AB

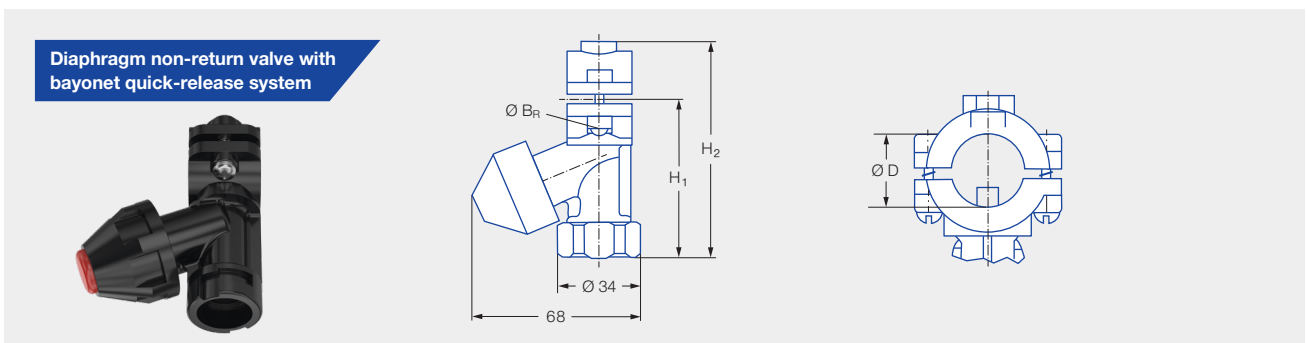
# Eyelet clamps with bayonet connection



Series	Ordering no.				Screw (material)	Pipe Ø	Dimensions [mm]							Weight [g] (Polyamide)		
	Type	Mat. no.					Code	B <sub>1</sub>	B <sub>2</sub>	B <sub>3</sub>	H <sub>1</sub>	H <sub>2</sub>	Ø B <sub>R</sub> <sup>1</sup>		Ø B <sup>2</sup>	Ø D
		51 Black	53 White	5E Blue												
226/2TR/ 302 bayonet/ 422 bayonet/ 468/652/646/ 684/679	090.003	●	●	●	KA	Stainless steel 304	1/2"	21.2	23.8	18.5	49.5	16.5	6.0	6.2–6.4	20.0–22.0	22.0
	090.013	●	●	●	KA		3/4"	24.5	26.5	22.0	52.5	17.5	7.6	7.8–8.0	25.0–27.5	26.0
	090.023	●	●	●	KA		1"	30.0	31.0	22.0	57.0	21.0	10.6	10.8–11.0	32.0–34.5	32.0

<sup>1</sup> Ø B<sub>R</sub> = spigot diameter.

<sup>2</sup> Ø B = recommended bore diameter.



Series	Ordering no.			Screw (material)	Pipe Ø	Ø D [mm]	Pressure [bar]		Dimensions [mm]				Weight [g]	
	Type	Mat. no.					Code	Opening pressure	Closing pressure	H <sub>1</sub>	H <sub>2</sub>	Ø B <sub>R</sub> <sup>1</sup>		Ø B <sup>2</sup>
		56 Black	POM											
226/2TR/ 302 bayonet/ 422 bayonet/ 468/652/646/ 684/679	065.272	●		KH	Stainless steel 303	1/2"	20.0–22.0	0.8	0.6	59.0	84.0	6.0	6.2–6.4	48.0
	065.272	●		KL		3/4"	25.0–27.5	0.8	0.6	66.0	90.0	9.6	9.8–10.0	53.0

<sup>1</sup> Ø B<sub>R</sub> = spigot diameter.

<sup>2</sup> Ø B = recommended bore diameter.

Material	Max. temperature [°C]	Max. pressure [bar]
PA, PP, PVDF, POM	65	10
PA, PP, PVDF, POM	80	8
PVDF	100	4

**Notice:** Please consider the material combination when using bayonet eyelet clamps with bayonet quick-release system nuts. The nuts may be difficult to turn when using different materials.